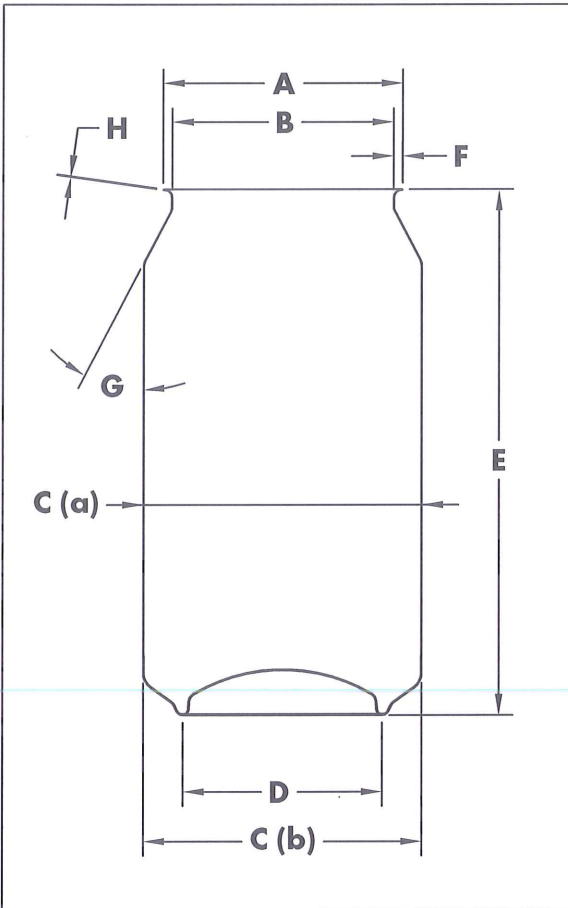




Ball Corporation
Beverage Packaging
Europe

PRODUCT DATA SHEET

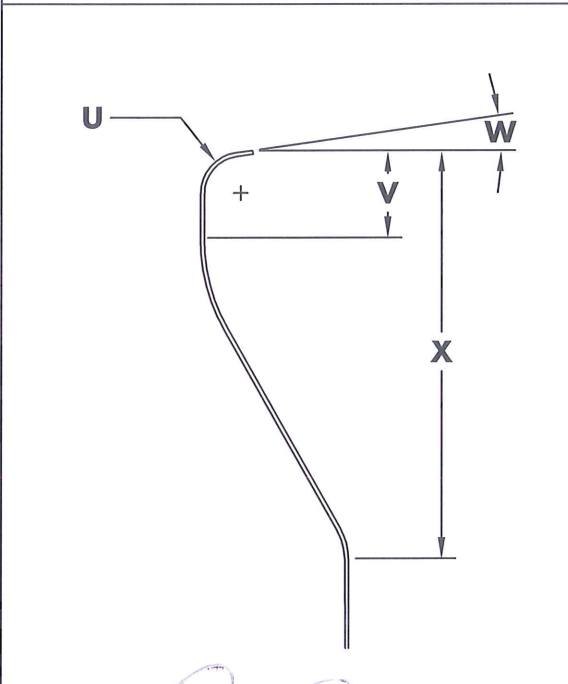


PRODUCT DESCRIPTION

52 X 66 (202 / 211) 330ML ALUMINIUM 202 NECK 202 BASE - Paf

ALL DIMENSIONS ARE IN MILLIMETRES AND ARE REFERENCE UNLESS STATED OTHERWISE.

A	Flange Diameter	57.5 MAX
B	Plug Diameter	52.40 +/- 0.30
C	Body Diameter (a)	66.3 MAX
C	Bottom Body Diameter (b)	66.6 MAX
D	Stand Diameter	47.29 REF
E	Open Can Height	115.20 +/- 0.30
F	Flange Width	2.13 +/- 0.25
G	Neck Angle	29.5°
U	Flange Radius	1.52 REF
V	Neck Seaming Clearance	3.0 MIN
W	Flange Angle	0 - 12°
X	Shoulder Height	17.2 REF
H	Flange Thickness <i>(To be used in Seam Calculations)</i>	0.170



● Brimful	358ml
● Freeboard	12.2mm NOMINAL
● Axial Load	675N MIN
● Dome reversal	620kPa MIN

Manufacturing Plants: **CABA, DMRK, MANT, SELV, BELG, FOSC, EJPO.**

Approved By:
Sector Quality Manager Europe

PDS Number:

Revision

Date

C105B

3

02/03/20