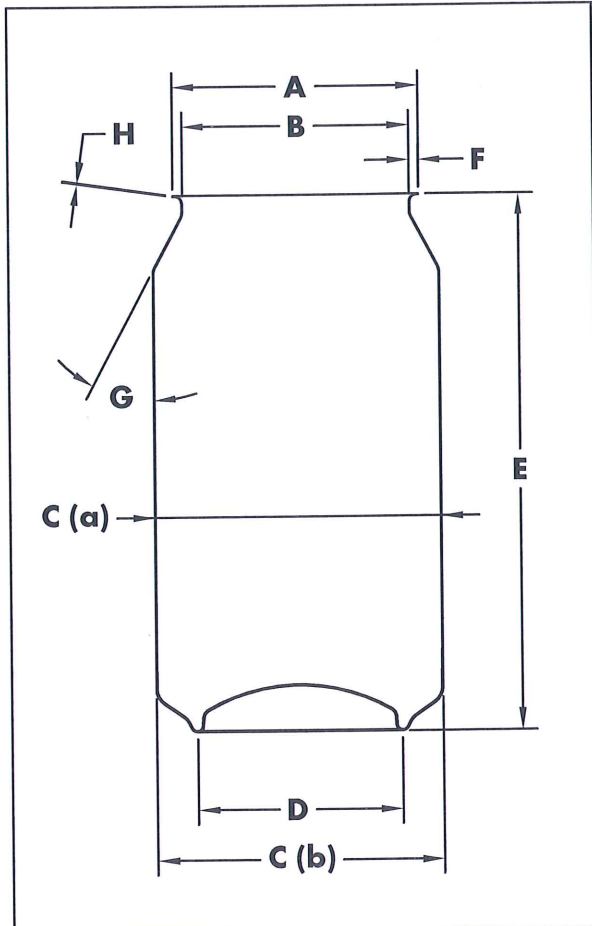




**Ball Corporation**  
Beverage Packaging  
Europe

# PRODUCT DATA SHEET

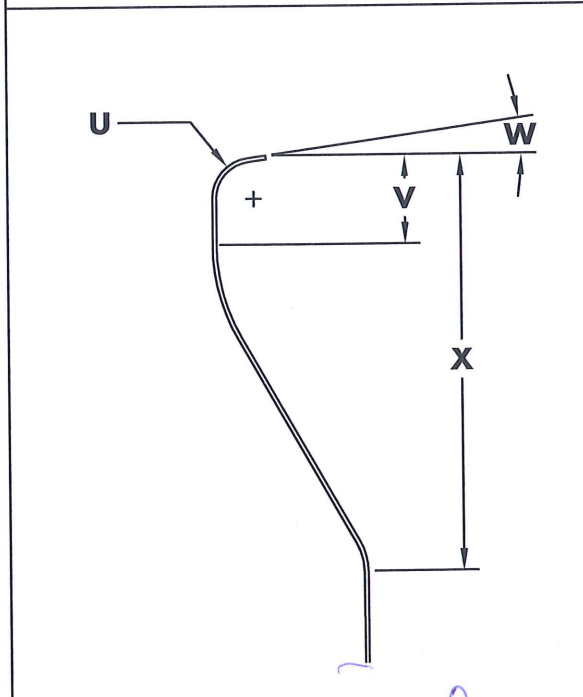


**PRODUCT DESCRIPTION**

**52 X 66 (202 / 211)  
440ML ALUMINIUM 202 NECK  
202 BASE - 3LB-21f**

ALL DIMENSIONS ARE IN MILLIMETRES AND ARE REFERENCE UNLESS STATED OTHERWISE.

<b>A</b>	Flange Diameter	<b>57.5 MAX</b>
<b>B</b>	Plug Diameter	<b>52.40 +/- 0.30</b>
<b>C</b>	Body Diameter (a)	<b>66.2 MAX</b>
<b>C</b>	Bottom Body Diameter (b)	<b>66.5 MAX</b>
<b>D</b>	Stand Diameter	<b>47.34 REF</b>
<b>E</b>	Open Can Height	<b>149.90 +/- 0.30</b>
<b>F</b>	Flange Width	<b>2.13 +/- 0.25</b>
<b>G</b>	Neck Angle	<b>30°</b>
<b>U</b>	Flange Radius	<b>1.65 REF</b>
<b>V</b>	Neck Seaming Clearance	<b>3.0 MIN</b>
<b>W</b>	Flange Angle	<b>0 - 12°</b>
<b>X</b>	Shoulder Height	<b>17.2 REF</b>
<b>H</b>	Flange Thickness <i>(To be used in Seam Calculations)</i>	<b>0.175</b>



- Brimful **475ml**
- Freeboard **14.0mm NOMINAL**
- Axial Load **800N MIN**
- Dome reversal **620kPa MIN**

Manufacturing Plants: **MKEY**

Approved By:  
Sector Quality Manager Europe

**PDS Number:**

**C206**

**Revision**

**3**

**Date**

**15/02/17**