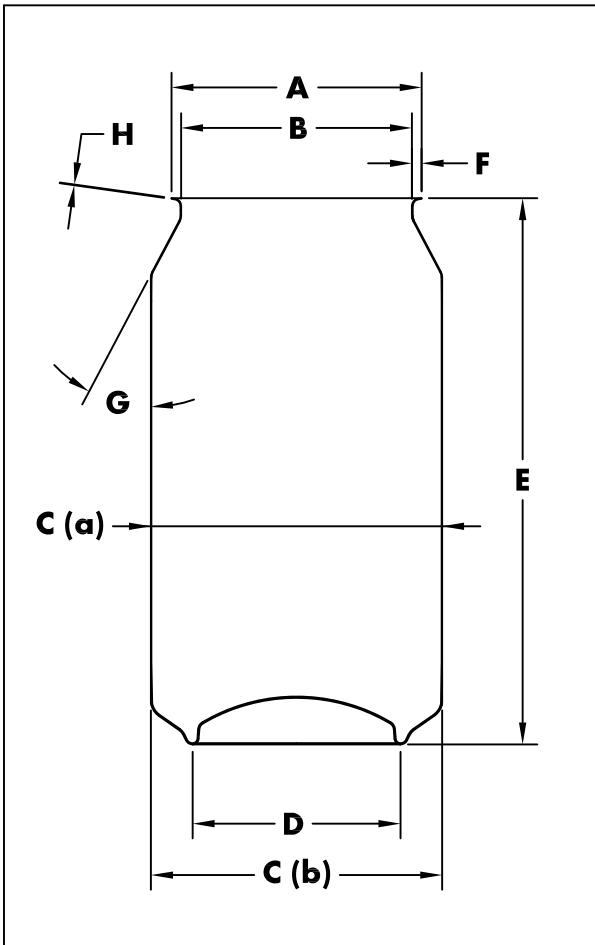




PRODUCT DATA SHEET

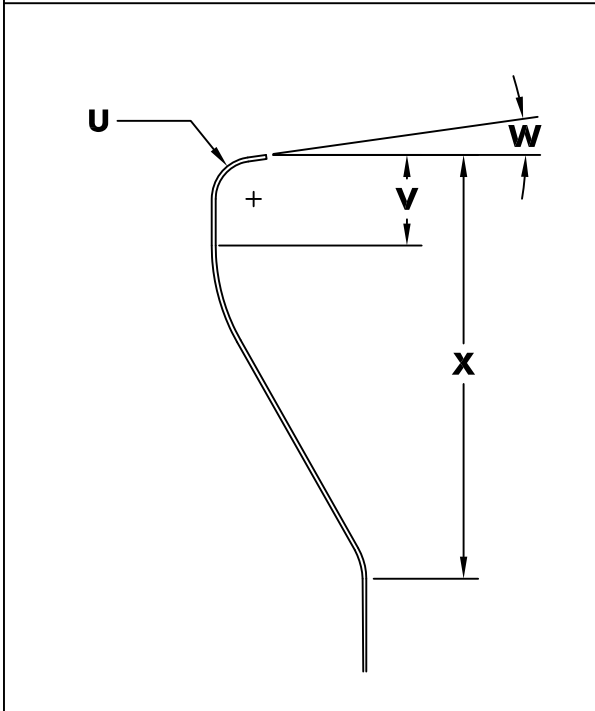


PRODUCT DESCRIPTION

330ML ALUMINIUM Sleek™ 202 NECK 200 BASE - R200

ALL DIMENSIONS ARE IN MILLIMETRES AND ARE REFERENCE UNLESS STATED OTHERWISE.

A	Flange Diameter	57.5 MAX
B	Plug Diameter	52.40 +/- 0.30
C	Body Diameter (a)	58.1 MAX
C	Body Diameter (b)	58.4 MAX
D	Stand Diameter	46.18 REF
E	Open Can Height	145.40 +/- 0.30
F	Flange Width	2.13 +/- 0.25
G	Neck Angle	30°
U	Flange Radius	1.52 REF
V	Neck Seaming Clearance	3.0 MIN
W	Flange Angle	0 - 12°
X	Shoulder Height	9.5 REF
H	Flange Thickness <i>(To be used in Seam Calculations)</i>	0.160



● Brimful	360ml
● Freeboard	12.6mm NOMINAL
● Axial Load	675N MIN
● Dome reversal	620kPa (90psi) MIN

Manufacturing Plants: **BELG, DMRK, NOGR, EJPO, BIER, TURK, STPB, EGYPT.**

Approved By:
Sector Quality Manager Europe

PDS Number:

Revision

Date

C309B

4

22/05/20